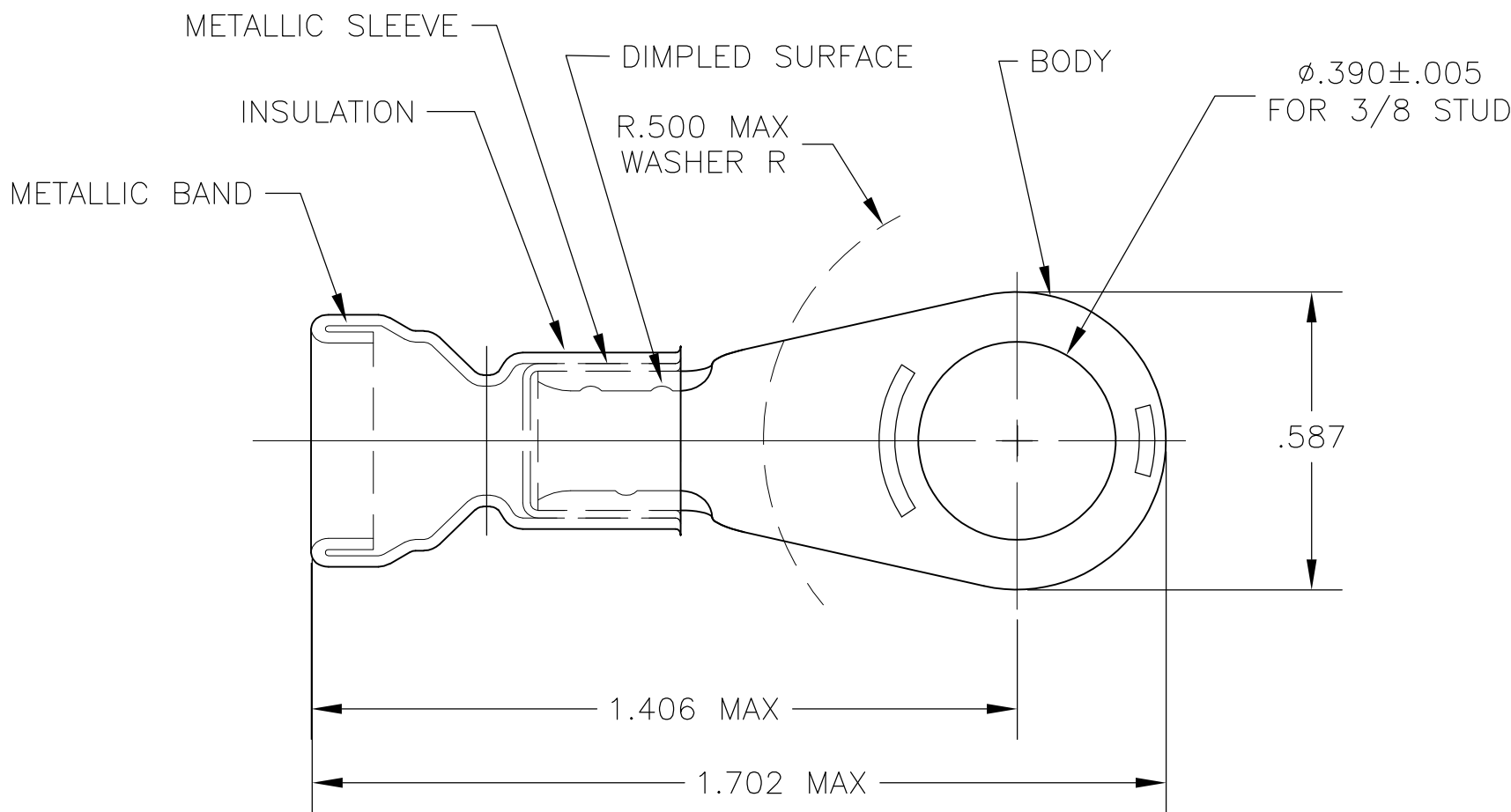
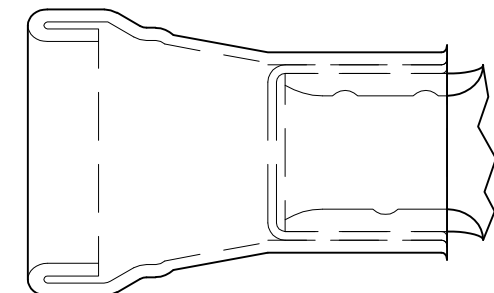


THIS DRAWING IS UNPUBLISHED. RELEASED FOR PUBLICATION
 © COPYRIGHT BY TYCO ELECTRONICS CORPORATION. ALL RIGHTS RESERVED.

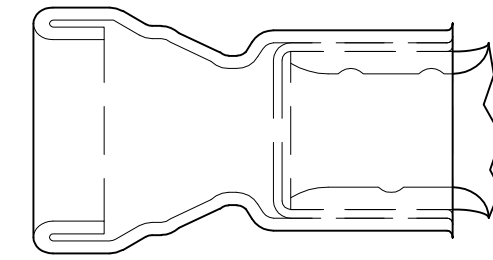
LOC	DIST	REVISIONS					
G	86	P	LTR	DESCRIPTION	DATE	DWN	APVD
		P1		REV PER ECR 07-023060	27SEP07	JR	TM



- 1 TONGUE MATERIAL THICKNESS .040±.003
- △2 BODY: COPPER PER ASTM B-152
TIN PER ASTM B-545
INSULATION: PVC, COLOR - RED
METALLIC SLEEVE: COPPER PER ASTM B-152
METALLIC BAND: STEEL PER ASTM A109
- 3 FOR "A" MAX WIRE INSULATION DIA
- △4 SUPERSEDED BY 322004
- △5 PRELIMINARY - NOT FOR PRODUCTION



STYLE #1



STYLE #2

500	322004 ON TAPE	#2	.298	△5 2-322004-4
100	LOOSE PIECE	#1	.377	△4 2-322004-2
100	LOOSE PIECE	#2	.298	322004
QTY	PACKAGE TYPE	STYLE	DIM "A"	PART NO

THIS DRAWING IS A CONTROLLED DOCUMENT.		DWN jr_ruth 02JUN04	Tyco Electronics Corporation Harrisburg, PA 17105	
DIMENSIONS: INCHES		CHK MJ SPICER 02JUN04	NAME	
TOLERANCES UNLESS OTHERWISE SPECIFIED:		APVD MJ SPICER 02JUN04	TERMINAL, AMPLI-BOND, RING TONGUE WIRE SIZE: 8	
0 PLC ± - 1 PLC ± - 2 PLC ± - 3 PLC ± .008 4 PLC ± - ANGLES ± 5°		PRODUCT SPEC	RESTRICTED TO	
MATERIAL - △2		FINISH - △2	SIZE A3	CAGE CODE 00779
		APPLICATION SPEC	DRAWING NO G-322004	
		WEIGHT -	SCALE 3:1 SHEET 1 OF 1 REV P1	
		CUSTOMER DRAWING		